



IPR434X / IPR438X

DAY & NIGHT 3MP HD VARI-FOCAL IR IP CAMERA



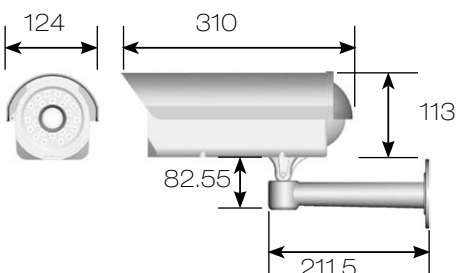
As with all Pro series cameras, the 3MP HD Vari-Focal IR IP Camera IPR434X/IPR438X incorporates Sense up+, a unique technology that successfully delivers stunning video in low-light conditions. Utilizing intelligent image signal processing, AGC control, and 3D Noise Reduction, this model successfully delivers the ultimate low-light image without motion blur. The IPR434X/IPR438X is capable of producing four independent video streams, different streams can be set for different applications, depending on the individual user requirements. The IP66-rated housing is designed to help the camera body withstand rain and dust and ensures operation under a multitude of harsh weather conditions.

FEATURES :

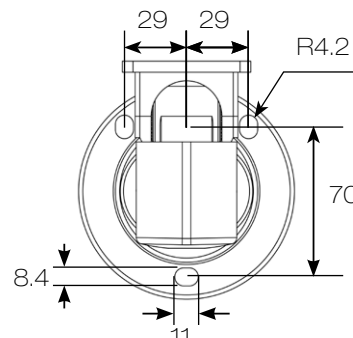
- Full HD 3.27 megapixel CMOS image sensor
- True H.264 AVC/MPEG-4 part 10 real-time Video compression
- H.264 and Motion JPEG multi-profile Video streaming
- 3D Noise Reduction (MCTF)
- 2D WDR function
- Digital PTZ supported
- Face / tampering / audio / motion / alarm detection
- Cable managed housing and bracket
- High efficiency IR LED, Radiant distance up to 70m
- Day & Night (IR cut removable)
- 2-way audio supported
- Digital I/O : 1 in, 1 out
- ONVIF supported

DIMENSIONS : (Unit : mm)

Body : 124 x 113 x 310(W x H x D) Bracket : 211.5(L)



INSTALLATION HOLE SITE DIAGRAM :



SPECIFICATION :

| | | | | | | |
|-------------------------|------------------|--|---------------------|---------------|---------------------|--|
| Name | | Day & Night 3MP HD Vari-focal IR IP Camera | | | | |
| Model | | IPR434ESX3.6 | IPR438ESX3.6 | IPR434ESX2.4 | IPR438ESX2.4 | |
| Lens | Focal length | 3.3 – 12 mm | | 9 – 22 mm | | |
| | Iris | F1.4 | | F1.4 | | |
| | Angle of view | H | 79.3° – 29.8° | 29.5° – 12.4° | | |
| | | V | 59.4° – 22.4° | 22° – 9.3° | | |
| D | | 99° – 37.3° | 36.9° – 15.5° | | | |
| Pick up element | | 1/2.8" CMOS image sensor | | | | |
| Effective pixels | | 2096 (H) x 1561 (V) = 3,271,856 (pixel) | | | | |
| Chip size | | 7.96mm (H) x 7.61mm (V) | | | | |
| Scanning system | | Progressive scan | | | | |
| Infrared cut filter | | Auto / schedule / day (color) / night (mono) | | | | |
| Min. illumination | | 0.15 Lux at F1.4 (Low light mode) / 0 Lux with IR LED on | | | | |
| White balance | | Auto / tungsten / indoor / fluorescents1 / fluorescents2 / outdoor1 / outdoor2 | | | | |
| Back light compensation | | Off / on | | | | |
| Electrical shutter | | 1/30s - 1/8000s | | | | |
| Sense up | | Off / 1 frame / 2 frames / 3 frames / 7 frames | | | | |
| Sense up + | | Yes | | | | |
| Auto gain control | | 36 dB variable gain | | | | |
| 3D Noise Reduction | | Off / 1 - 32 selectable | | | | |
| 2D WDR | | Off / auto / x2 / x3 / x4 | | | | |
| Privacy masking | | Off / on (4 zones) | | | | |
| Image effects | | Brightness, Contrast, Hue, Saturation, Sharpness, Mirror, Flip | | | | |
| Live Video output | | CVBS 1.0Vp-p, 75 ohm, BNC connector | | | | |
| Audio in / output | | Mono, 1.4 Vp-p , 50 K Ω , terminal connector | | | | |
| IP rating | | IP66 | | | | |
| Window | | Ø78 heat resistant glass | | | | |
| Infrared LED | Peak wavelength | 850nm | | | | |
| | Beam spread | 30° | | | | |
| | Radiant distance | 55M | | | | |
| Operating temperature | | -40°C – +50°C (-40°F – 122°F) | | | | |
| Dimension | | 124mm(W) x 113mm(H) x 310mm(D), Bracket : 211.5mm(L) | | | | |
| Weight | | 2200g | | | | |
| Power supply | | AC24V (±10%) | AC100 – 240V (±10%) | AC24V (±10%) | AC100 – 240V (±10%) | |
| Power consumption | | PoE+ (IEEE 802.3at compliant) 17W (PoE+, 20W) | | | | |

| | | |
|---------------------------|------------|---|
| Network | | |
| Video compression | | H.264 , Motion JPEG |
| Resolution | | 3MP(2048 x 1536), 1080P(1920 x 1080), 720P(1280 x 720), D1(720 x 480), CIF(352 x 240) |
| Multiple profile | Profile #1 | H.264 : up to 30 FPS @ 1920 x 1080, MJPEG : up to 30 FPS @ 720 x 480 |
| | Profile #2 | H.264 : up to 30 FPS @ 1280 x 720, MJPEG : up to 30 FPS @ 352 x 240 |
| | Profile #3 | H.264 : up to 30 FPS @ 1920 x 1080, MJPEG : up to 30 FPS @ 1280 x 720 |
| | Profile #4 | H.264 : up to 30 FPS @ 720 x 480, MJPEG : up to 15 FPS @ 1920 x 1080 |
| | Profile #5 | H.264 : up to 15 FPS @ 2048 x 1536, MJPEG : up to 15 FPS @ 720 x 480 |
| Video streaming | | RTP/HTTP, RTP/TCP, RTP/UDP, Multicast |
| Video bitrate | | 128Kbps – 5Mbps Frame rate and bit rate controllable on-the-fly VBR / CBR / GOP supported |
| Security | | Base64 HTTP encryption Multiple user access levels with password protection 10 user accounts available |
| Users | | 8 simultaneous users |
| ePTZ & digital zoom | | Yes, ROI is supported |
| OSD | | Text overlay for date, time, and camera name |
| Alarm function | | Alarm / motion / tampering / face / alarm detection triggering recording into SD card Image upload over FTP and E-mail by face / tampering / audio / motion detection |
| CPU, memory | | Embedded SoC ARM11, 528MHz, 256MB DDR2, 256MB flash memory |
| Maintenance | | Firmware update via HTTP Firmware available at web site |
| Network interface | | 10Mbps / 100Mbps Base-T, RJ-45 |
| PC requirement | | OS : Windows 2000, Windows XP, Windows Vista, Windows 7, Windows 8 Browser : Windows Internet Explorer 6.0 or above CPU : intel pentium 4 1.8GHz or above RAM : 1GB or above, independent display card |
| Network protocols | | IP, TCP, UDP, HTTP, SMTP, NTP, DDNS, UPnP, FTP, ARP, DHCP, PPPoE, DNS, RTSP, RTCP, Telnet, ICMP, IGMP, ONVIF Profile S, SNMP, SIP, Bonjour |
| Mobile phone | | iPhone, iPad, and Android support |
| System integration | | ONVIF & LILIN HTTP API |
| Central management system | | CMX 3.6 / NAV 1.0 support |
| Video display | | LILIN Universal ActiveX & LILIN Java Applet |
| OS | | Embedded Linux 2.6.32 |
| Two-way audio | | G.711 / PCM |
| SD card recording | | Support SD/SDHC card for circular recording (card is not included) |
| Alarm input / output | | Digital 1 input (TTL, +3 – 5VDC) / 1 Output (MOS Relay contact N.O., Load max. 40VDC/300mA) |

